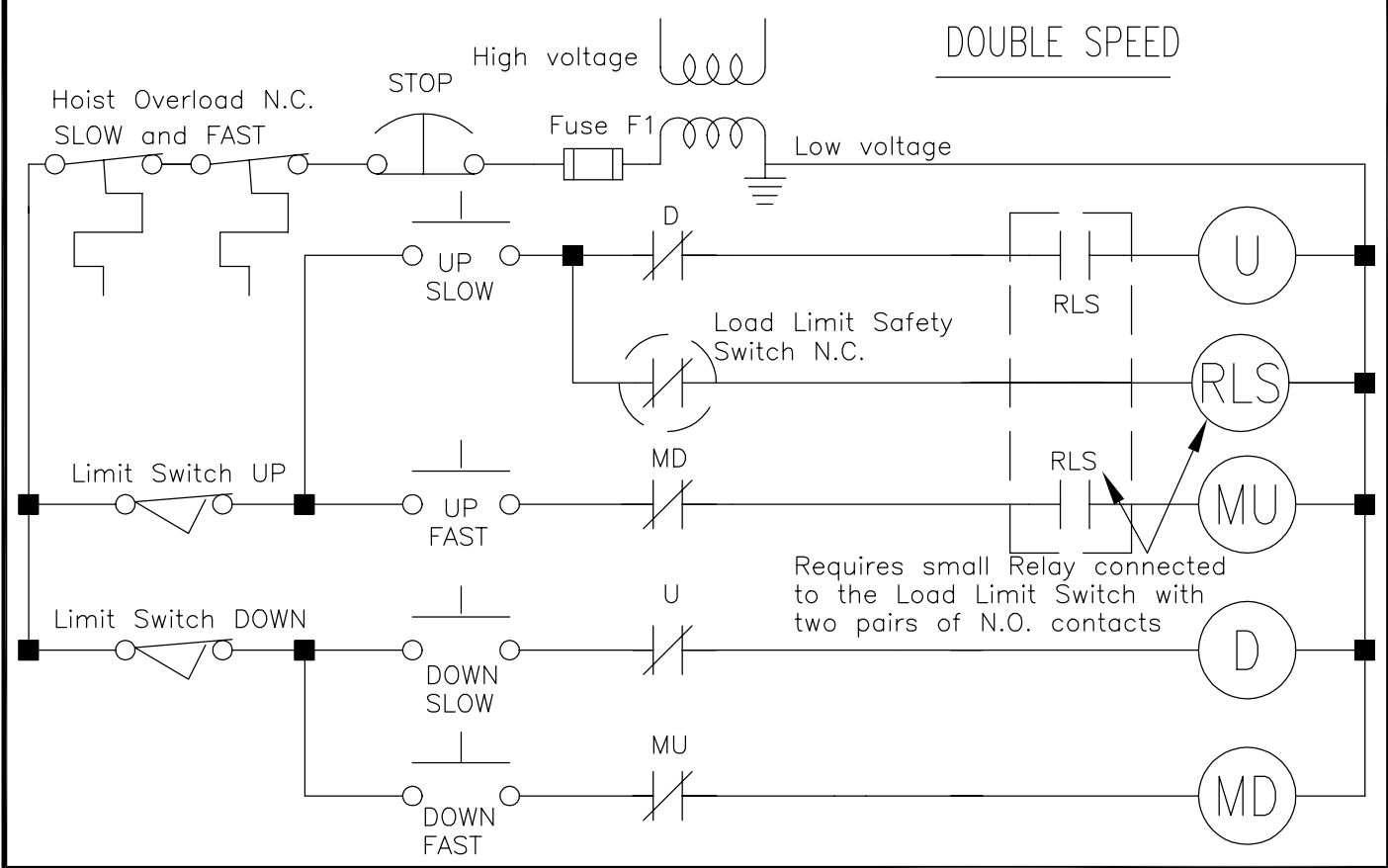
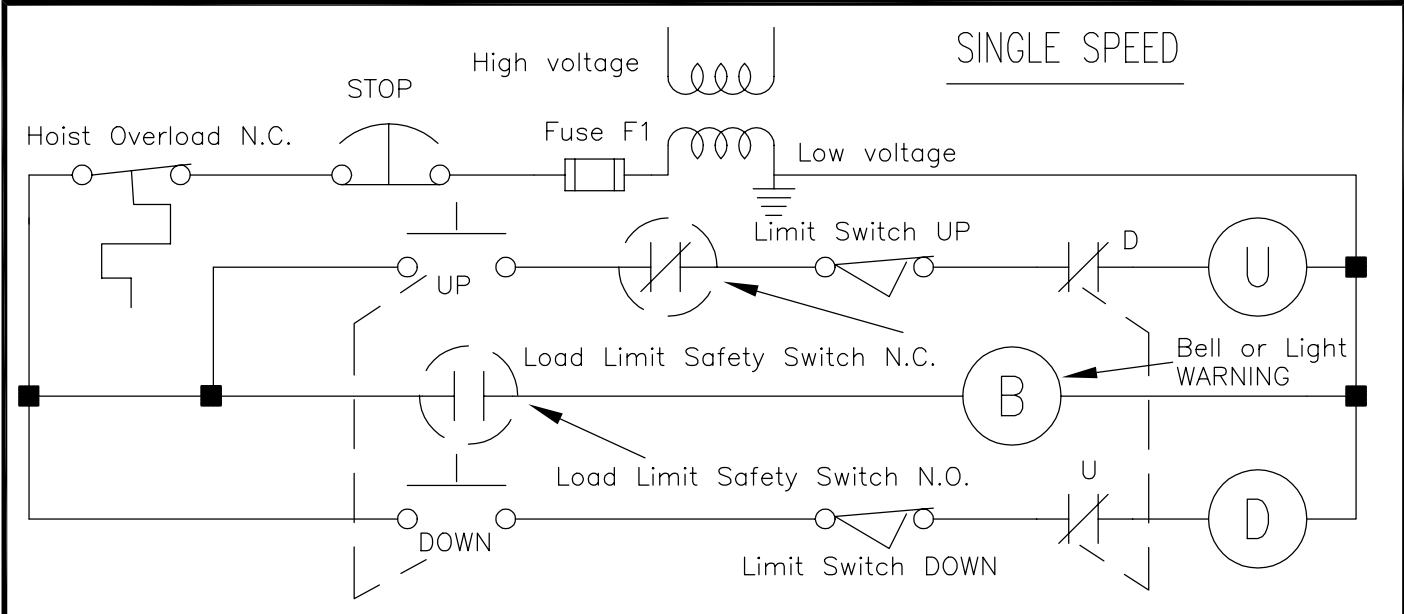


REVISIONS				
ZONE	REV	DESCRIPTION	Date	APPROVED



LOAD LIMIT SWITCH TYPE RB	CONNECTION AND CONTROL CIRCUIT DIAGRAM			
	ROTOR ELECTRIC LTD.			
1385 MAIN ST. N.VANCOUVER, BC. TEL.985-7024				
	SIZE	FSCM NO.	DWG NO.	REV
	Scale		Sheet 1 of 1	